

APPROVED BY:

DATE:

*Kenneth Eubank* 6/29/94

CITY ENGINEER, R.C.E. 13456

CITY OF MARTINEZ

Catch Basin  
Stencil

SCALE: NONE  
STD. DRWG.  
NO.  
SD-1

SHEET 1 OF 2

NOTE: Stencil kits will be provided by City upon receipt of a refundable deposit.

**SPECIFICATIONS**

FISH: LENGTH: 20 1/2 INCHES  
HEIGHT: 5 INCHES

LEGEND: 1 INCH LETTERING

MESSAGE: NO DUMPING!  
FLOWS TO CREEK

COLORS: FISH: AERVO, LIGHT BLUE, GROUND TRAFFIC COATING\*  
MESSAGE: AERVO, WHITE, GROUND TRAFFIC COATING\*  
\* = OR APPROVED EQUAL

**APPLICATION PROCEDURE:**

1. Brush area on top of curb to be stenciled with wire brush.
2. Sweep area with whisk broom.
3. Place fish stencil on top of curb (see note below for stencil orientation).
4. Mark curb along border of stencil with masking tape.
5. Shake paint can and apply light blue paint using long sweeping motion. Do not over apply paint.
6. Let paint dry to touch.
7. Align message stencil with masking tape. Blue paint should be visible under all letters.
8. Shake paint can and apply white paint using long sweeping motions. Do not over apply.

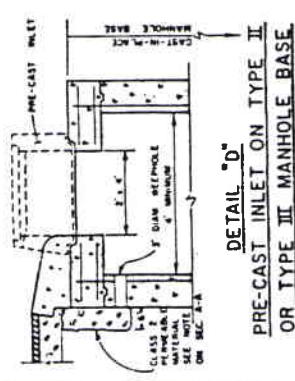
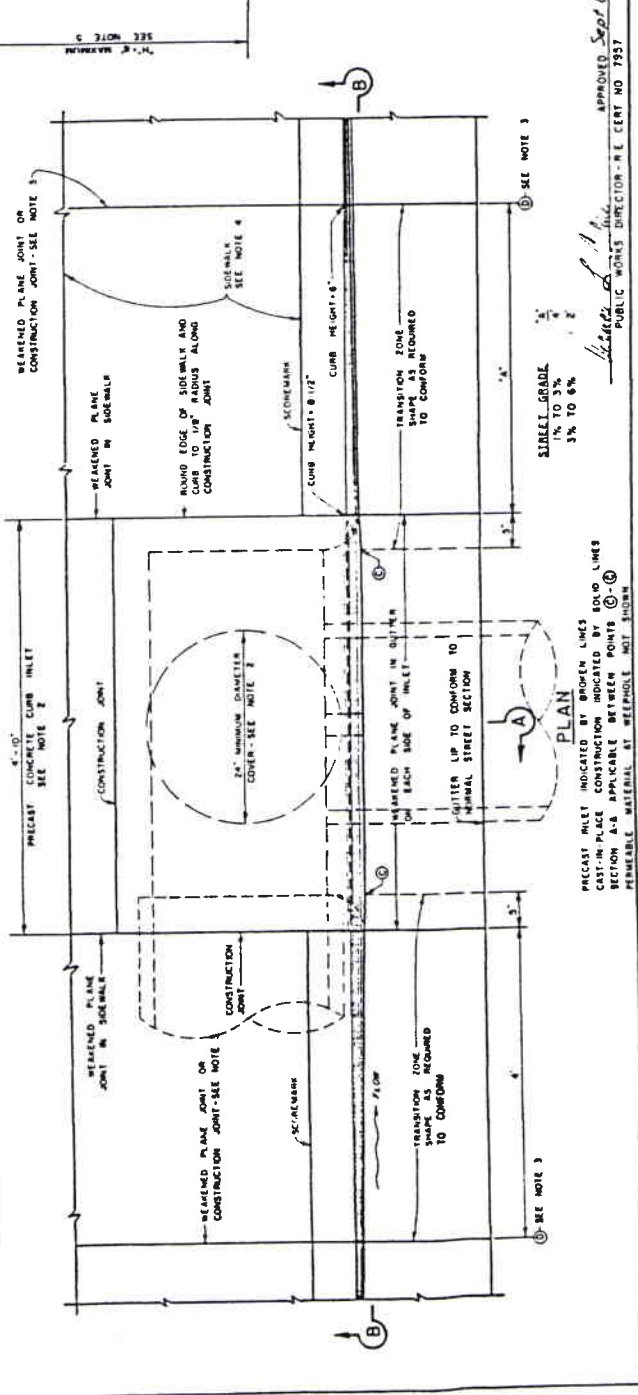
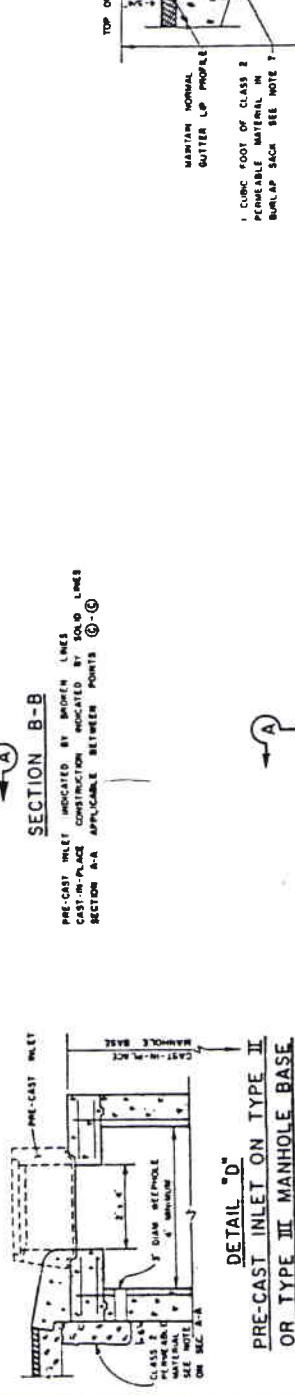
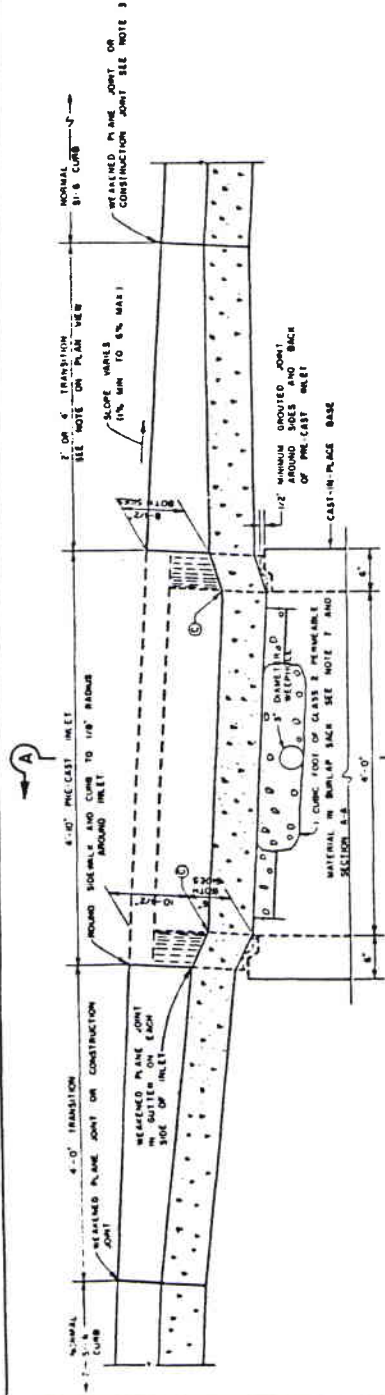
**STENCIL ORIENTATION:**

1. No sidewalks, message directed toward street.
2. Existing sidewalks, message directed toward sidewalk.

APPROVED BY: <i>Kenneth Eisher</i> CITY ENGINEER, R.C.E. 13456	DATE: <i>6/29/94</i>	CITY OF MARTINEZ	SCALE: NONE
		Catch Basin Stencil	STD. DRWG. NO. SD-1
			SHEET 2 OF 2

**NOTES**

1. TYPE "D" INLET NOT PERMITTED WHEN STREET GRADE EXCEEDS 6% IF GRADE EXCEEDS 6%, USE TYPE "E" INLET.
2. PRECAST CONCRETE CURB INLET TO BE SANTA ROSA CAST PRODUCTS CO MODEL 44, OR CHRISTY CONCRETE PRODUCTS MODEL U-37, OR EQUAL, AS APPROVED BY THE PUBLIC WORKS DEPARTMENT. SEE MANUFACTURER'S CATALOG FOR DETAILS OF INLET AND CIRCULAR COVER NOT SHOWN ON THIS PLAN. PROVIDE CURB INLET TO AD IN LEFT HAND COVER.
3. PRECAST CONCRETE CURB INLET SHALL BE CONSTRUCTED MONOLITHICALLY AND SIDEWALK SHALL BE DETACHED, SHALL BE SET-OUT AT A TIME SECTION 4 CURB AND SIDEWALK SHALL BE CONSTRUCTED MONOLITHICALLY.
4. PRECAST CONCRETE CURB INLET ON A TYPE II OR TYPE III MANHOLE BASE AS SHOWN IN DETAIL "D" ON THIS PLAN. REFERENCE STANDARD PLANS CC 302, 8 CC 3023 FOR MANHOLE BASE DETAILS.
5. PRECAST CONCRETE CURB INLET SHALL BE CONSTRUCTED MONOLITHICALLY AND SIDEWALK SHALL BE DETACHED, SHALL BE SET-OUT AT A TIME SECTION 4 CURB AND SIDEWALK SHALL BE CONSTRUCTED MONOLITHICALLY.
6. PRECAST CONCRETE CURB INLET SHALL BE CONSTRUCTED MONOLITHICALLY AND SIDEWALK SHALL BE DETACHED, SHALL BE SET-OUT AT A TIME SECTION 4 CURB AND SIDEWALK SHALL BE CONSTRUCTED MONOLITHICALLY.
7. PRECAST CONCRETE CURB INLET SHALL BE CONSTRUCTED MONOLITHICALLY AND SIDEWALK SHALL BE DETACHED, SHALL BE SET-OUT AT A TIME SECTION 4 CURB AND SIDEWALK SHALL BE CONSTRUCTED MONOLITHICALLY.
8. PRECAST CONCRETE CURB INLET SHALL BE CONSTRUCTED MONOLITHICALLY AND SIDEWALK SHALL BE DETACHED, SHALL BE SET-OUT AT A TIME SECTION 4 CURB AND SIDEWALK SHALL BE CONSTRUCTED MONOLITHICALLY.
9. PRECAST CONCRETE CURB INLET SHALL BE CONSTRUCTED MONOLITHICALLY AND SIDEWALK SHALL BE DETACHED, SHALL BE SET-OUT AT A TIME SECTION 4 CURB AND SIDEWALK SHALL BE CONSTRUCTED MONOLITHICALLY.
10. PRECAST CONCRETE CURB INLET SHALL BE CONSTRUCTED MONOLITHICALLY AND SIDEWALK SHALL BE DETACHED, SHALL BE SET-OUT AT A TIME SECTION 4 CURB AND SIDEWALK SHALL BE CONSTRUCTED MONOLITHICALLY.
11. PRECAST CONCRETE CURB INLET SHALL BE CONSTRUCTED MONOLITHICALLY AND SIDEWALK SHALL BE DETACHED, SHALL BE SET-OUT AT A TIME SECTION 4 CURB AND SIDEWALK SHALL BE CONSTRUCTED MONOLITHICALLY.
12. PRECAST CONCRETE CURB INLET SHALL BE CONSTRUCTED MONOLITHICALLY AND SIDEWALK SHALL BE DETACHED, SHALL BE SET-OUT AT A TIME SECTION 4 CURB AND SIDEWALK SHALL BE CONSTRUCTED MONOLITHICALLY.
13. PRECAST CONCRETE CURB INLET SHALL BE CONSTRUCTED MONOLITHICALLY AND SIDEWALK SHALL BE DETACHED, SHALL BE SET-OUT AT A TIME SECTION 4 CURB AND SIDEWALK SHALL BE CONSTRUCTED MONOLITHICALLY.
14. PRECAST CONCRETE CURB INLET SHALL BE CONSTRUCTED MONOLITHICALLY AND SIDEWALK SHALL BE DETACHED, SHALL BE SET-OUT AT A TIME SECTION 4 CURB AND SIDEWALK SHALL BE CONSTRUCTED MONOLITHICALLY.
15. PRECAST CONCRETE CURB INLET SHALL BE CONSTRUCTED MONOLITHICALLY AND SIDEWALK SHALL BE DETACHED, SHALL BE SET-OUT AT A TIME SECTION 4 CURB AND SIDEWALK SHALL BE CONSTRUCTED MONOLITHICALLY.
16. PRECAST CONCRETE CURB INLET SHALL BE CONSTRUCTED MONOLITHICALLY AND SIDEWALK SHALL BE DETACHED, SHALL BE SET-OUT AT A TIME SECTION 4 CURB AND SIDEWALK SHALL BE CONSTRUCTED MONOLITHICALLY.
17. PRECAST CONCRETE CURB INLET SHALL BE CONSTRUCTED MONOLITHICALLY AND SIDEWALK SHALL BE DETACHED, SHALL BE SET-OUT AT A TIME SECTION 4 CURB AND SIDEWALK SHALL BE CONSTRUCTED MONOLITHICALLY.
18. PRECAST CONCRETE CURB INLET SHALL BE CONSTRUCTED MONOLITHICALLY AND SIDEWALK SHALL BE DETACHED, SHALL BE SET-OUT AT A TIME SECTION 4 CURB AND SIDEWALK SHALL BE CONSTRUCTED MONOLITHICALLY.
19. PRECAST CONCRETE CURB INLET SHALL BE CONSTRUCTED MONOLITHICALLY AND SIDEWALK SHALL BE DETACHED, SHALL BE SET-OUT AT A TIME SECTION 4 CURB AND SIDEWALK SHALL BE CONSTRUCTED MONOLITHICALLY.
20. PRECAST CONCRETE CURB INLET SHALL BE CONSTRUCTED MONOLITHICALLY AND SIDEWALK SHALL BE DETACHED, SHALL BE SET-OUT AT A TIME SECTION 4 CURB AND SIDEWALK SHALL BE CONSTRUCTED MONOLITHICALLY.



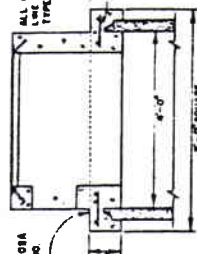
CONTRA COSTA COUNTY  
PUBLIC WORKS DEPARTMENT  
TYPE "D" INLET

NO.	DATE	REVISION
1	APR 1957	DESIGNED BY J. J. ...
2	MAY 1957	CHANGED FROM 18\"/>
3	MAY 1957	CHANGED FROM 18\"/>

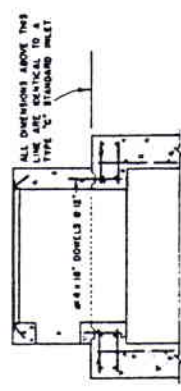
APPROVED *[Signature]* Sep 6, 1976  
PUBLIC WORKS DIRECTOR - R. E. CERT NO 7557

WHEN INLET IS PRECAST, USE 36" DIAMETER PRECAST MANHOLE RINGS, SANTA ROSA CONCRETE PRODUCTS CO. TYPE "C" STANDARD MANLET, OR EQUIVALENT.

ALL DIMENSIONS ABOVE THE LINE ARE IDENTICAL TO A TYPE "C" STANDARD MANLET.



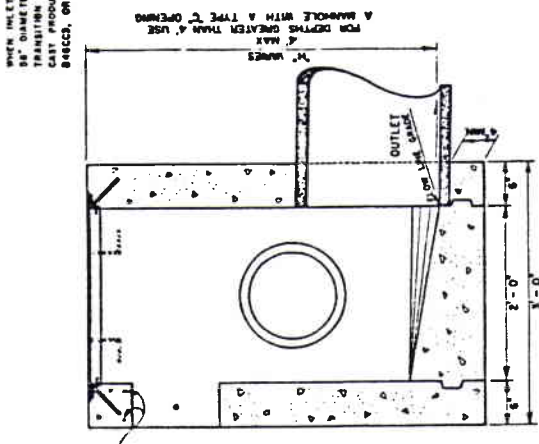
SECTION OF TYPE "C" OPENING ON PRECAST MANHOLE BARREL  
REFER TO STANDARD PLAN CC 3010



SECTION OF TYPE "C" OPENING ON MANHOLE BASE  
REFER TO STANDARD PLAN CC 3021

NOTES:

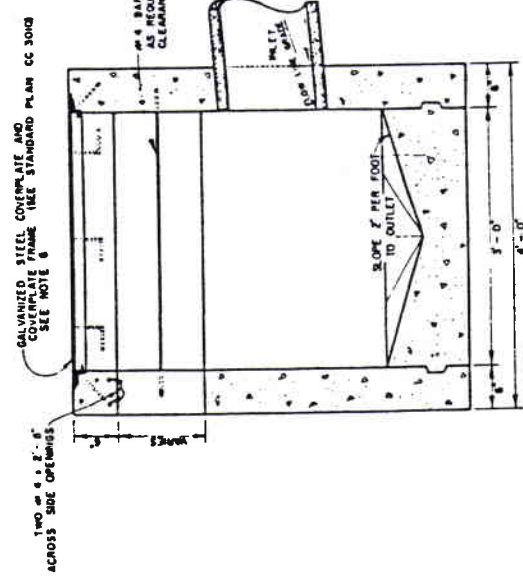
- CONSTRUCTION DETAILS ARE OPTIONAL WHERE SHOWN. OTHER LOCATIONS ARE SUBJECT TO THE APPROVAL OF THE ENGINEER. SEE DIMENSIONS - 2'-0" x 1'-0" x 1'-0".
- CLEARANCE ABOVE THE INLET SHALL NOT INTERFERE WITH THE MANHOLE COVER OR THE INLET.
- IN TOP LARGE ON THE SIDE ANGLE IS TOO SHARP TO FORM THE OPENING TO BE MADE.
- A SHIELD SHALL BE USED TO PROTECT THE MANHOLE FROM DAMAGE TO THE TOP.
- LOCATION AND SIZE OF OPENINGS TO BE AS SHOWN ON PLANS OR AS DETERMINED BY ENGINEER.
- ALL MANHOLE SHALL BE CONSTRUCTED WITH GASKET UNLESS THE INLET IS TO BE IN POSITION.
- PRECAST MANHOLE, CONFORMING TO SANTA ROSA CAST PRODUCTS CO. MANHOLE MANLET, OR EQUIVALENT, CAN BE SUBSTITUTED FOR CAST-IN-PLACE MANLET.



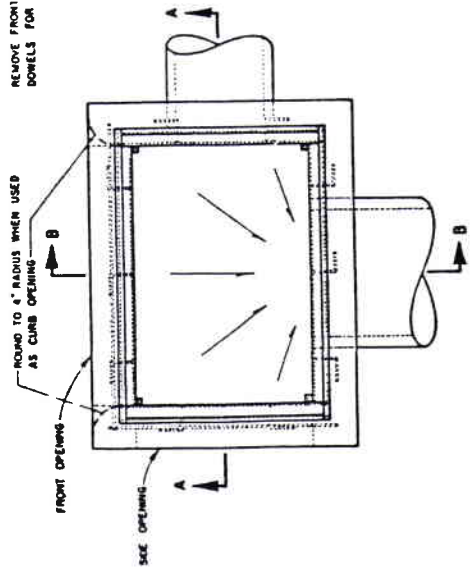
SECTION B-B  
14'-1'-0"



SECTION B-B  
CURB OPENING MODIFICATION  
2'-0"



SECTION A-A  
14'-1'-0"



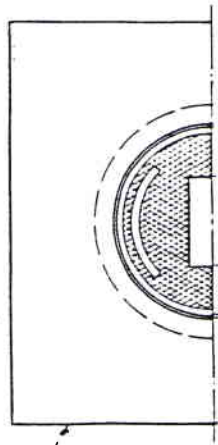
PLAN  
14'-1'-0"

COVERPLATE NOT SHOWN

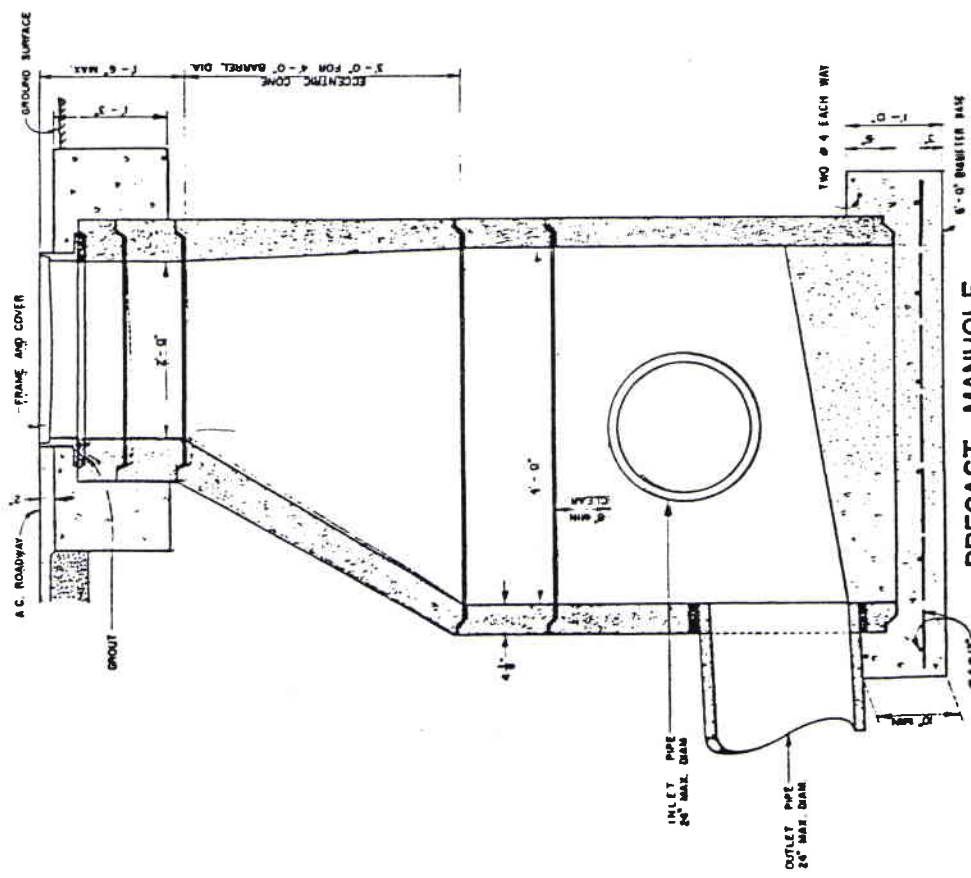
CONTRA COSTA COUNTY PUBLIC WORKS DEPARTMENT MARTINEZ, CALIFORNIA	
STANDARD PLAN	
TYPE "C" INLET	
NO.	DATE
1	2-1-67
2	9-5-68
3	4-25-76
4	2-24-79
5	8-11-80
6	1-11-81
7	1-11-81
8	1-11-81
9	1-11-81
10	1-11-81
11	1-11-81
12	1-11-81
13	1-11-81
14	1-11-81
15	1-11-81
16	1-11-81
17	1-11-81
18	1-11-81
19	1-11-81
20	1-11-81
21	1-11-81
22	1-11-81
23	1-11-81
24	1-11-81
25	1-11-81
26	1-11-81
27	1-11-81
28	1-11-81
29	1-11-81
30	1-11-81
31	1-11-81
32	1-11-81
33	1-11-81
34	1-11-81
35	1-11-81
36	1-11-81
37	1-11-81
38	1-11-81
39	1-11-81
40	1-11-81
41	1-11-81
42	1-11-81
43	1-11-81
44	1-11-81
45	1-11-81
46	1-11-81
47	1-11-81
48	1-11-81
49	1-11-81
50	1-11-81
51	1-11-81
52	1-11-81
53	1-11-81
54	1-11-81
55	1-11-81
56	1-11-81
57	1-11-81
58	1-11-81
59	1-11-81
60	1-11-81
61	1-11-81
62	1-11-81
63	1-11-81
64	1-11-81
65	1-11-81
66	1-11-81
67	1-11-81
68	1-11-81
69	1-11-81
70	1-11-81
71	1-11-81
72	1-11-81
73	1-11-81
74	1-11-81
75	1-11-81
76	1-11-81
77	1-11-81
78	1-11-81
79	1-11-81
80	1-11-81
81	1-11-81
82	1-11-81
83	1-11-81
84	1-11-81
85	1-11-81
86	1-11-81
87	1-11-81
88	1-11-81
89	1-11-81
90	1-11-81
91	1-11-81
92	1-11-81
93	1-11-81
94	1-11-81
95	1-11-81
96	1-11-81
97	1-11-81
98	1-11-81
99	1-11-81
100	1-11-81

*James L. Smith*  
PUBLIC WORKS DIRECTOR - R.E. CERT. NO. 7997





CONCRETE IN CURB, 4" x 6" SQUARE, SHEET METAL PAVEMENT FORM VERTICAL EDGES AT TOP CLASS "B" CONCRETE



**PRECAST MANHOLE WITH TYPE I BASE**

11-11-00

- NOTES:**
1. ALL REINFORCED CONCRETE SHALL BE CLASS "B".
  2. ALL CONCRETE JOINTS SHALL BE CLEANED, WETTED, AND MORTARED, PROOF TO SETTING BEST SECTION JOINTS SHALL THEN BE PATCHED, TROWELED, AND BRUSHED SMOOTH.
  3. TYPE I MANHOLE BASES ARE FOR USE WITH PIPES TO 24" IN DIAMETER AND WHEN THERE IS A CHANGE IN PIPE SIZE, THE MANHOLE SHALL BE CONSTRUCTED WITH TYPE II AND TYPE III MANHOLE BASES (SHEET CC-3021) AND FOR USE WITH PIPES TO 48" IN DIAMETER MANHOLE BASES FOR PIPES LARGER THAN 48" IN DIAMETER SHALL REQUIRE A SPECIAL DESIGN.
  4. USE OF EXTENSION RINGS IS LIMITED BY 18" MANHOLE THROUGH LENGTH.
  5. FRAME AND EXTENSION RINGS MUST BE REINFORCED BY AVAILMENT OR CONCRETE BLOCK.
  6. MANHOLE COVER FRAME SHALL BE ADAPTED TO CONFORM TO BRIMS AND CROSS-SLAPS OF FOR DETAILS OF MANHOLE FRAME AND COVER, SEE STANDARD PLAN CC 3024.

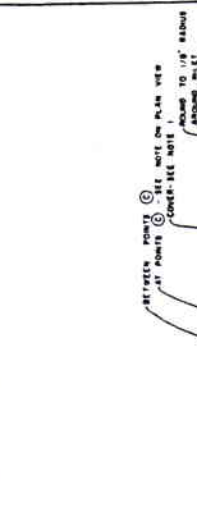
APPROVED: *March 26, 1963*  
 PUBLIC WORKS DIRECTOR - R. E. CERT. NO. 3708

CONTRA COSTA COUNTY PUBLIC WORKS DEPARTMENT SANTARFE, CALIFORNIA	
STANDARD PLAN PRECAST MANHOLE	
AND TYPE I BASE	
SCALE: AS SHOWN	DRAWN BY: JAD
DATE: 10-21-66	CHECKED BY: D.E.T.
NO.	REVISION DESCRIPTION
1	11-11-78
2	10-21-66

CC 3020

**NOTES**

1. THE PRECAST CONCRETE CURB INLET SHALL BE CHRISTY CONCRETE PRODUCTS MODEL U-37, OR SANTA ROSA CAST PRODUCTS CO. MODEL U-1, OR EQUAL AS APPROVED BY THE CONTRACTING ENGINEER.
2. THE PRECAST CONCRETE CURB INLET SHALL BE CAST IN PLACE AND SHALL BE CONCRETE CLASS CC 3014.
3. THE PRECAST CONCRETE CURB INLET SHALL BE CAST IN PLACE AND SHALL BE CONCRETE CLASS CC 3014.
4. THE PRECAST CONCRETE CURB INLET SHALL BE CAST IN PLACE AND SHALL BE CONCRETE CLASS CC 3014.
5. THE PRECAST CONCRETE CURB INLET SHALL BE CAST IN PLACE AND SHALL BE CONCRETE CLASS CC 3014.
6. THE PRECAST CONCRETE CURB INLET SHALL BE CAST IN PLACE AND SHALL BE CONCRETE CLASS CC 3014.
7. THE PRECAST CONCRETE CURB INLET SHALL BE CAST IN PLACE AND SHALL BE CONCRETE CLASS CC 3014.
8. THE PRECAST CONCRETE CURB INLET SHALL BE CAST IN PLACE AND SHALL BE CONCRETE CLASS CC 3014.
9. THE PRECAST CONCRETE CURB INLET SHALL BE CAST IN PLACE AND SHALL BE CONCRETE CLASS CC 3014.
10. THE PRECAST CONCRETE CURB INLET SHALL BE CAST IN PLACE AND SHALL BE CONCRETE CLASS CC 3014.



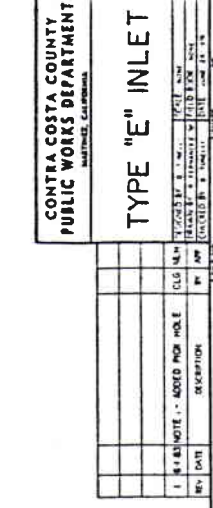
**SECTION B-B**

PRECAST INLET INDICATED BY BROKEN LINES  
 CAST-IN PLACE CONSTRUCTION INDICATED BY SOLID LINES  
 SECTION A-A APPLICABLE BETWEEN POINTS (A) & (B)



**SECTION C-C**

DIMENSION VARIES FROM 3" TO 4'-1/2"  
 SIDEWALK AND GALLERY SECTIONS TO BE CONSTRUCTED MONOLITHICALLY  
 CONCRETE REQUIREMENTS:  
 BELOW CONSTRUCTION JOINTS - CLASS A  
 ABOVE CONSTRUCTION JOINTS - CLASS B



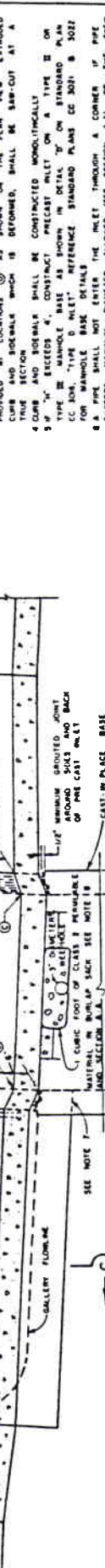
**SECTION A-A**

PRECAST INLET INDICATED BY BROKEN LINES  
 CAST-IN PLACE CONSTRUCTION INDICATED BY SOLID LINES  
 CONCRETE BELOW CONSTRUCTION JOINT SHALL BE CLASS A



**PLAN**

PRECAST INLET INDICATED BY BROKEN LINES  
 CAST-IN PLACE CONSTRUCTION INDICATED BY SOLID LINES  
 SECTION A-A APPLICABLE BETWEEN POINTS (A) & (B)  
 PERMISSIBLE MATERIAL AT WEAPHOLES NOT SHOWN



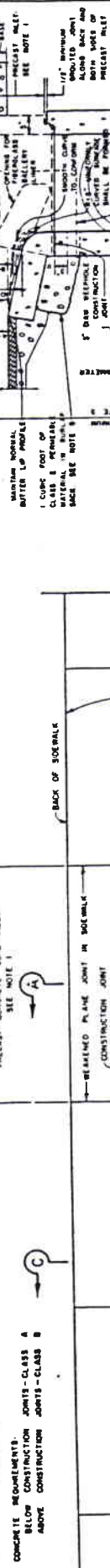
**SECTION A-A**

PRECAST INLET INDICATED BY BROKEN LINES  
 CAST-IN PLACE CONSTRUCTION INDICATED BY SOLID LINES  
 CONCRETE BELOW CONSTRUCTION JOINT SHALL BE CLASS A



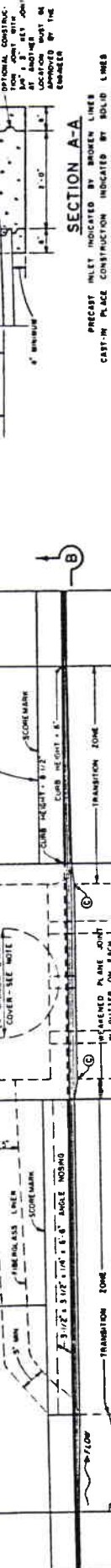
**SECTION B-B**

PRECAST INLET INDICATED BY BROKEN LINES  
 CAST-IN PLACE CONSTRUCTION INDICATED BY SOLID LINES  
 SECTION A-A APPLICABLE BETWEEN POINTS (A) & (B)



**SECTION C-C**

DIMENSION VARIES FROM 3" TO 4'-1/2"  
 SIDEWALK AND GALLERY SECTIONS TO BE CONSTRUCTED MONOLITHICALLY  
 CONCRETE REQUIREMENTS:  
 BELOW CONSTRUCTION JOINTS - CLASS A  
 ABOVE CONSTRUCTION JOINTS - CLASS B



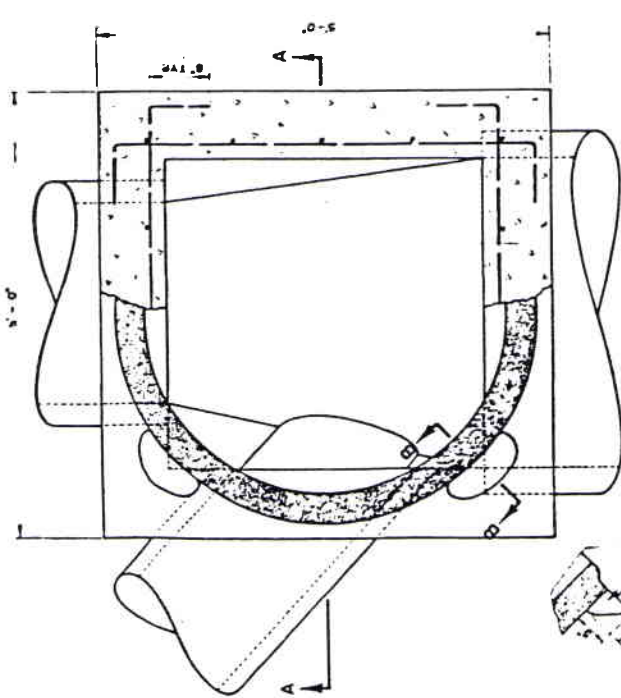
**SECTION A-A**

PRECAST INLET INDICATED BY BROKEN LINES  
 CAST-IN PLACE CONSTRUCTION INDICATED BY SOLID LINES  
 CONCRETE BELOW CONSTRUCTION JOINT SHALL BE CLASS A

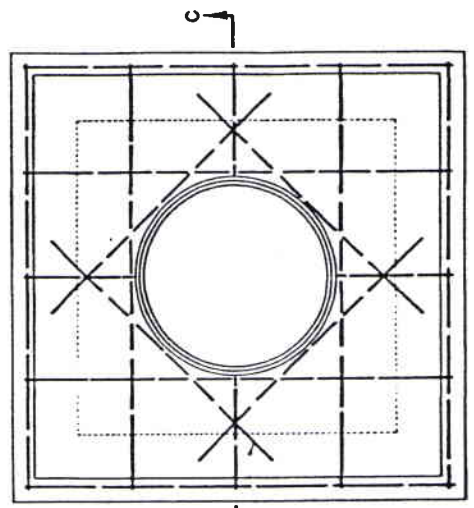


**SECTION B-B**

PRECAST INLET INDICATED BY BROKEN LINES  
 CAST-IN PLACE CONSTRUCTION INDICATED BY SOLID LINES  
 SECTION A-A APPLICABLE BETWEEN POINTS (A) & (B)  
 PERMISSIBLE MATERIAL AT WEAPHOLES NOT SHOWN

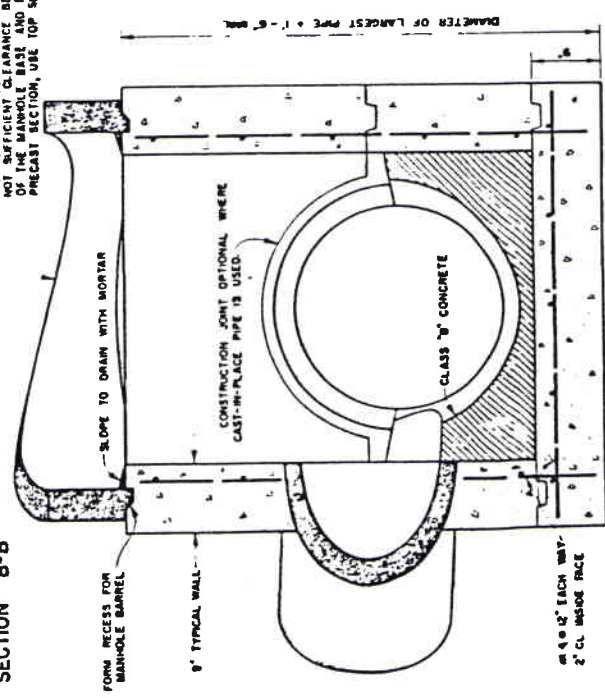


SECTION B-B

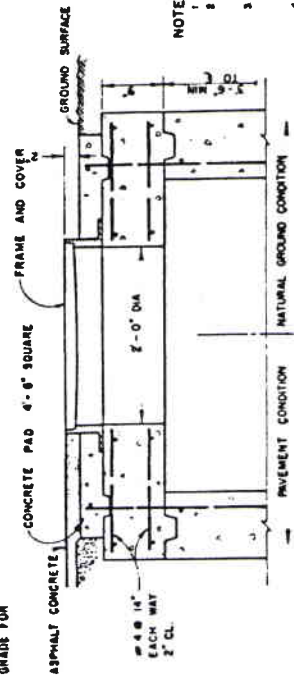


PLAN

PRECAST MANHOLE SECTION WHERE THERE IS NOT SUFFICIENT CLEARANCE BETWEEN THE TOP OF THE MANHOLE BASE AND FINISH GRADE FOR PRECAST SECTION, USE TOP SLAB.



SECTION A-A



SECTION C-C

TOP SLAB

USE TOP SLAB WHERE THERE IS NOT SUFFICIENT CLEARANCE BETWEEN THE TOP OF THE MANHOLE BASE AND FINISH GRADE FOR A PRECAST SECTION AND MANHOLE COVER FRAME. WHEN PLACING A TYPE 'A' OR TYPE 'C' MULEY OPENING SLAB SHALL CONFORM TO THE ABOVE DIMENSIONS OF THE MULEY TO BE USED.

- NOTES:
- 1 ALL REINFORCED CONCRETE SHALL BE CLASS "A".
  - 2 REINFORCING BARS SHALL BE OPTIMUM GRADE. ALL BARS OTHER THAN #4 SHALL BE SUBJECT TO THE APPROVAL OF THE ENGINEER.
  - 3 SET DIMENSIONS ARE 1/4" ± .5".
  - 4 INLET AND OUTLET PIPES SHALL NOT INTERCEPT A MANHOLE BASE OR COVER FRAME. ALL PIPES SHALL BE BROOK AND SHALL BE PROTECTED BY A CONCRETE COLLAR TO THE MANHOLE BASE OR COVER FRAME.
  - 5 TYPE "M" MANHOLE BASE (SHEET CC 3022) USE A PIPE TO 18" DIAMETER AND WHEN THERE IS SUFFICIENT CLEARANCE BETWEEN THE TOP OF THE MANHOLE BASE AND FINISH GRADE FOR A PRECAST SECTION AND MANHOLE COVER FRAME, USE TYPE "M" MANHOLE BASES FOR PIPES TO 48" DIAMETER. TYPE "M" MANHOLE BASES ARE FOR PIPES LARGER THAN 30" IN DIAMETER SHALL REQUIRE A SPECIAL DESIGN.
  - 6 FOR DETAILS OF PRECAST MANHOLE, SEE STANDARD PLAN CC 3019.
  - 7 FOR DETAILS OF MANHOLE FRAME AND COVER, SEE STANDARD PLAN CC 3018.

CONTRA COSTA COUNTY PUBLIC WORKS DEPARTMENT MARTINEZ, CALIFORNIA	
STANDARD PLAN	
TYPE "II"	
MANHOLE BASE	
NO.	REVISION DESCRIPTION
1	12-14-78 REV. 4411 8
2	11-17-78 OCTOBER 19, 1982
3	BY DRAWN BY: J.C.C. CHECKED BY: D.D.T.

APPROVED *Max* *Max* 12/16/65  
 PUBLIC WORKS DIRECTOR - R.E. CERT. NO. 3709

CC 3021